

## Dry-material-feeder TGD300



### Features

- Very accurate dosing of the powdered dry material
- No crushing of the product
- Heater in the discharge pipe
- Stainless steel (1.4541) funnel and console
- Continuous screw for complete emptying of the screw-trough
- Motor without forced ventilator
- Prevention of tunnel and bridge formation by mixing shaft
- Option: individual expandable (for example with stainless steel frame, side channel blower, weighing device and/or noise insulating hood)

### Technical description and process

Get your dosing process under control with the **waterprocesstec Dry-Material-Feeder**. It is suitable for a lot of different dry materials.

The **waterprocesstec Dry-Material-Feeder** have a high volume inlet funnel. In this funnel rotate a continuous screw. The screw transports the dry material to the discharge pipe. A mixing shaft prevented the tunnel and bridge formation, which the screw forms a tunnel in the product, so no material slides down. The discharge pipe is equipped with a heater. It is important to eliminate the deposit of the product.

Our **Dry-Material-Feeder** ensures an absolutely exact dosing of your dry material. It combines the most advanced technology to reach the highest level of security.

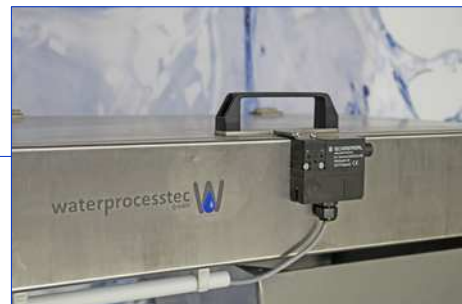


## Dry-material-feeder TGD300

### Options

To integrate our Dry-Material-Feeder optimally in your process, we can offer many optional extensions.

- **Big Bag Frame** with **vibrator** for the prevention of the tunnel and bridge formation as well for the completely emptying of residues of the Big Bag.
- **Stainless steel frame** to integrate the Dry-Material-Feeder and the options safely and compact to your process.
- **Side cannel blower** for the transport and the compression of the dry material.
- **Sensors** (limit switches) to check the filling level of the funnel.
- **Funnel structure** to enlarge the funnel volume.
- **Grid**, for filtering the product of foreign bodys.
- **Electrical locking switches** for covers, grid and/or noise insulating hood.
- **Weighing device** for dosing the optimum quantity of dry material.
- **Noise insulating hood** for the reduction of the noise emission.
- **Funnel window** to observe the dry material.



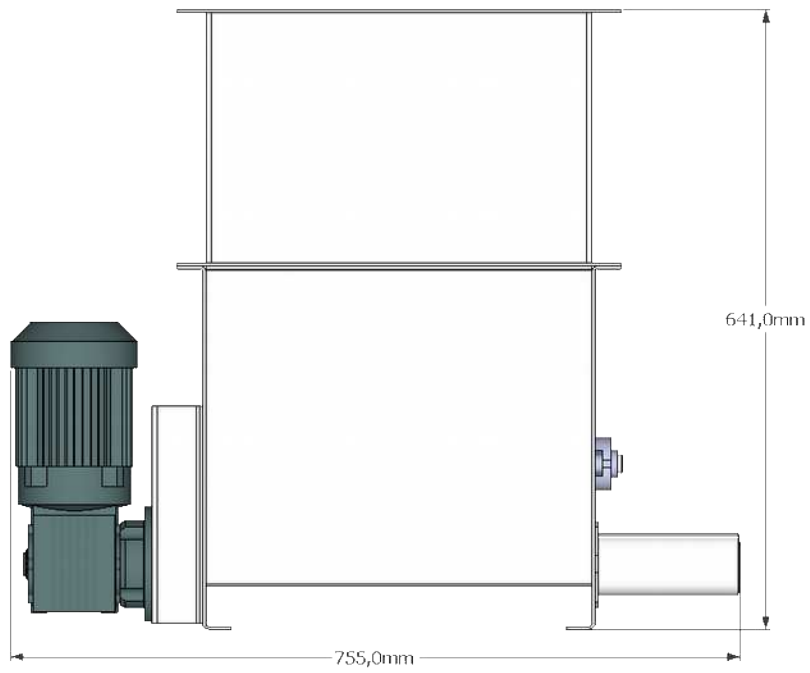
### Application areas

The **waterprocesstec Dry-Material-Feeder** is used in the treatment of municipal and industrial wastewater in sewage plants, the recycling of process and circuit water as well as the clarification of raw and surface water for the production of industrial and drinking water. Other applications (chemical industry, paper industry, power stations) are possible without doubts.

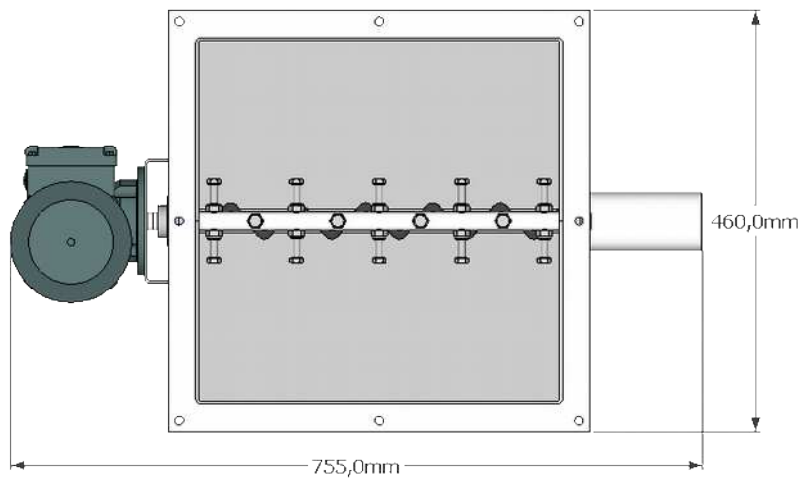
If you have any further questions, please do not hesitate to contact us.

Dimensions Dry-Material-Feeder

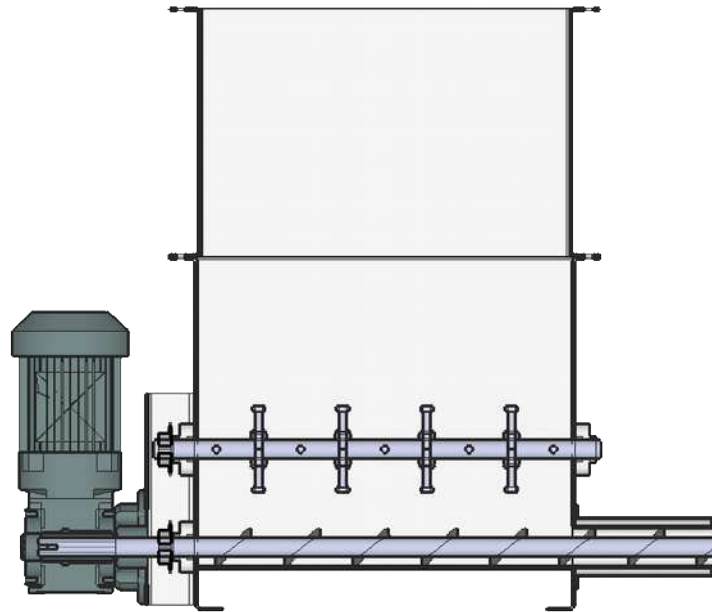
Lateral view



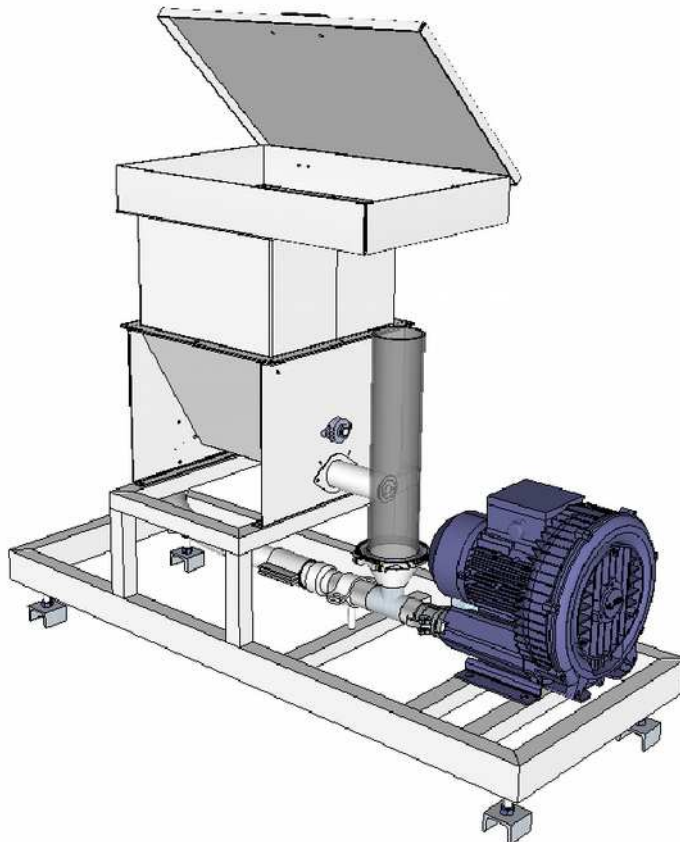
Top view



Dimensions Dry-Material-Feeder



3D-view



Technical data

Geared motor	400V <sub>AC</sub> , 50Hz, 0,12kW, opt. 500V <sub>AC</sub>
Heating discharge pipe	230V <sub>AC</sub> , 50Hz
Filling level probe funnel	optional 24V <sub>DC</sub> , output PNP
Protection class	IP55
Cooling	selfcooling
TAMB	-20°C up to +45°C
Material motor	grey cast iron
Material funnel and dosing unit	stainless steel 1.4541
Volume funnel	ca. 50kg (without options)
Max. dosing weight	ca. 120kg/h